

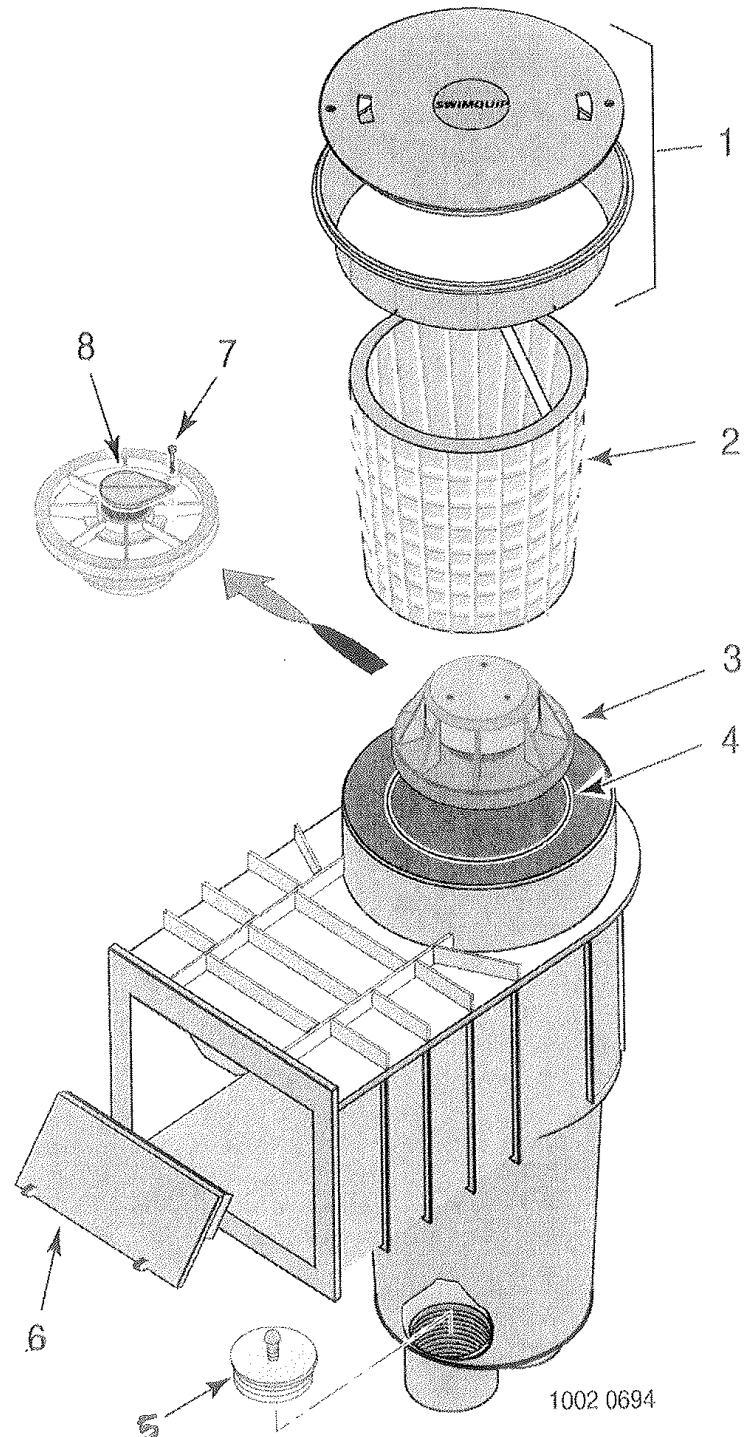


Calaveras County Environmental Management Agency

Brian S. Moss ♦ Agency Administrator / Director of Environmental Health
891 Mountain Ranch Road San Andreas, CA 95249
Phone: 209-754-6399 Fax: 209-754-6722

Properly Constructed Skimmer

1. Lid & Collar
2. Basket
3. Float Valve Assembly
4. O-Ring
5. Restricted Check Valve
6. Weir
7. Trimmer Valve Screw
8. Trimmer Valve



*Please contact this
Department if you have
further questions regarding
construction of your skimmer
@ 209-754-6399.*